



Current and voltage transformers



HAMBURG WIRGES DRESDEN KIRCHAICH
KECSKEMET MARCHTRENK SHANGHAI UNITED STATES

RITZ INSTRUMENT TRANSFORMERS (SHANGHAI) CO.,LTD

99 Huajia Road,Building 1-3 Huabin

Industrial Park Songjiang Industrial Zone

Shanghai,201613

P.R.China

Phone: 86-21-67747698

Fax: 86-21-67747678

Web: www.ritz-china.com



Company Introduction



Ritz Instrument Transformers (Shanghai) Co., Ltd

Founded in 1945 in Hamburg, Ritz Instrument Transformers GmbH is a global leader in instrument transformers manufacturing. For more than 70 years, with customer-oriented technical innovation and relentless pursuit of the spirit of enterprise. Ritz has established its name as a leader in electrical measuring technology.

Established in 1999, Ritz Instrument Transformers (Shanghai) Co., Ltd. is the only wholly-owned subsidiary of Ritz Group in China. Synchronized with our Germany parent company with first-class technology and design drawings. Also adhering to the German sophisticated manufacturing technology, and advanced manufacturing concepts. We provide excellent customer satisfaction through the continuing pursuit of quality products and service excellence.

Our product range is 0.72-52 kV for current and voltage transformers in AIS and GIS. We are strategic partner with Siemens, ABB, Schneider, Eaton ...etc. Our products are safely using and operating in all over the world.

We are sincerely welcome all our clients for close co-operation, RITZ will be your reliable partner.

Product Catalogue

For AIS panels

12kV CURRENT TRANSFORMER

GSWS SERIES: GSWS12-01RS,GSWS12-03RS,GSWS12-05RS,GSWS12NXW,GSWS12NXWL	1-3
GSW SERIES: GSWS12/0	4
GSWS SERIES: GSWS12NXWB	5

12kV VOLTAGE TRANSFORMER

SINGLE-POLE 12kV PT: GSES12-34RS,GE12NXW,GE12NXW-1,GSES12-01RS,GSES12-02RS	6-7
DOUBLE-POLE 12kV PT: GZ12RS,GZ12BRS,GZ12BRS-1	8-9
12kV PT WITH FUSE: GSES12-14RS,GE12SRSC,GSE12RSa,GSE12BRS	10-11

24kV CURRENT TRANSFORMER

GSWS24-01RS,ASS24-203	12-13
-----------------------------	-------

24kV VOLTAGE TRANSFORMER

SINGLE-POLE 24kV PT: GSES24-01RS,GSES24-02RS	14
DOUBLE-POLE 24kV PT: GZ24RS,GZ24RS-1	15
24kV PT WITH FUSE: GSE24,GE24SRSC	16

40.5kV CURRENT TRANSFORMER

GIS40.5RSa	17
GIS40.5RSb	18

40.5kV VOLTAGE TRANSFORMER

SINGLE-POLE 40.5kV PT: GE30 RS / GE40.5 RC-1GSE36-1b	19
DOUBLE-POLE 40.5kV PT: GZ40.5 RS	20

ZERO-SEQUENCE PROTECTION CT

RK SERIES: RK1608,RK2312,RK2716,RK3118,RK3120,RK3524	21-22
RKU SERIES: RKU1608,RKU2012,RKU2616	23

KSOH SERIES

KSOH SERIES	24
KSOH1911	25
KSOH2713	26

GIS PT GBEA SERIES

GBEA 12-1 / GBEA 12 RSS	27
GBEA 24 RSS / GBEA 24	28
GBEA 12...40.5A-1 / GBEA 36...40.5 RSS	29

AIS 12KV CT SERIES

**GSWS12-01RS/GSWS12-03RS/GSWS12-05RS/GSWS12NXW/
GSWS12NXWL CURRENT TRANSFORMER**



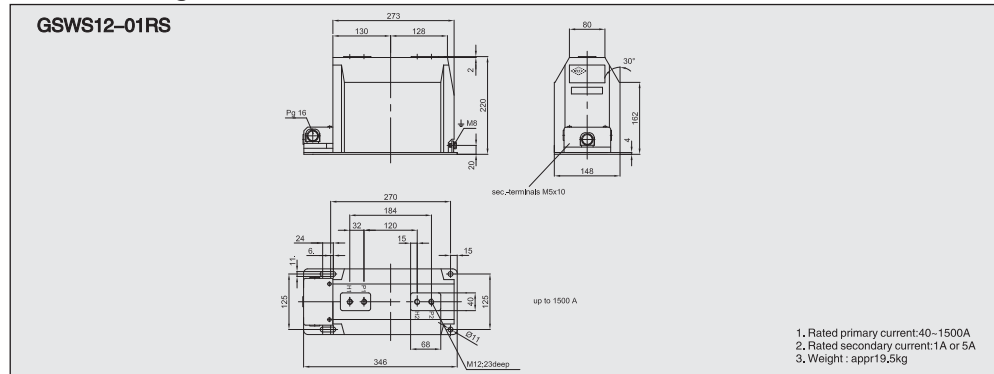
Technical Data

Sum of turns A	I _{1n} kA/1s	0.2FS, 0.5FS5					0.5FS5					SP10/10P10					SP15/10P15					SP20/10P20				
		5VA	10VA	15VA	20VA	30VA	5VA	10VA	15VA	20VA	30VA	5VA	10VA	15VA	20VA	30VA	5VA	10VA	15VA	20VA	30VA	5VA	10VA	15VA	20VA	30VA
		k	k	k	k	k	k	k	k	k	k	k	k	k	k	k	k	k	k	k	k	k	k	k	k	k
40	12.5	9	10	13	15	21	8	10	11	13	18	10	16	22	28	13	21	30			16	28				
	16	11	16	23			9	11	14	18	24	11	19	27		15	26			19						
50/60	12.5	8	9	10	12	16	8	9	10	11	14	9	13	18	22	32	11	18	25	32	14	23	32			
	16	9	10	13	15	21	8	10	11	13	18	10	16	22	28	13	21	30			16	28				
75	25	11	16	23			9	11	14	18	24	11	19	27		15	26			19						
	12.5	7	8	9	10	12	7	7	8	9	10	7	11	14	17	23	10	14	19	24	12	19	26	32		
100	16	8	9	10	12	16	8	9	10	11	14	9	13	18	22	32	11	18	25	32	14	23	32			
	25	9	10	13	15	21	8	10	11	13	18	10	16	22	28	13	21	30			16	28				
150	31.5	11	16	23			9	11	14	18	24	11	19	27		15	26			19						
	12.5	7	7	8	10	7	7	7	8	9	12	14	19	9	13	16	20	28	11	16	22	27				
200	16	7	8	9	10	12	7	7	8	9	10	7	11	14	17	23	10	14	19	24	12	19	26	32		
	25	8	9	10	12	16	8	9	10	11	14	8	12	16	20	29	11	17	23	29	13	22	30			
250	31.5	9	10	13	15	21	8	10	11	13	18	10	16	22	28	13	21	30			16	28				
	40	9	10	13	15	21	8	10	11	13	18	10	16	22	28	13	21	30			16	28				
300	25	7	7	8	10	7	7	7	8	7	9	12	14	19	9	13	16	20	28	11	16	22	27			
	31.5	7	7	8	10	7	7	7	8	7	9	12	14	19	9	13	16	20	28	11	16	22	27			
400	45	8	9	11	14	7	8	9	10	12	8	12	15	19	27	10	16	22	27	13	21	29				
	31.5	7	7	8	10	7	7	7	8	7	9	12	14	19	9	13	16	20	28	11	16	22	27			
500	45	7	8	9	10	12	7	7	8	9	10	7	11	14	17	23	10	14	19	24	12	19	26	32		
	63	8	9	11	13	17	8	8	10	11	15	8	12	17	22	32	10	17	23	30	13	21	30			
800	63	8	8	9	10	11	7	7	8	9	11	7	10	12	15	21	8	13	17	21	29	10	16	21	27	
	80	7	7	8	8	7	7	7	8	8	9	11	15	7	10	13	16	20	28	11	16	22	27			
1000	80	7	7	7	8	6	6	6	6	6	7	9	10	13	7	9	12	14	18	9	12	15	18	25		
	1200	80	7	7	7	8	6	6	6	6	7	8	9	11	7	9	11	13	16	8	11	14	16	21		
1500	80	8	8	8	8	8	7	7	7	8	8	7	8	9	11	8	9	11	12	15	9	11	13	15	19	
	2000	100	8	8	8	8	8	7	7	7	8	8	9	10	11	8	10	11	13	16	10	12	14	17	21	
2500	100	9	9	9	9	8	8	8	8	8	9	10	11	13	10	11	13	14	18	12	14	17	19	24		

Remark: **GSWS12-01RS/GSWS12-03RS/GSWS12-05RS/GSWS12NXW/GSWS12NXWL** CT technical data table

- Maximum of secondary core for GSWS12-01RS,03RS,05RS,NXW,NXWL block-type current transformers:4
- The core factor of the table corresponds to different core parameter. Please add them all according to your chosen core parameter.
- Secondary current is 5A or 1A. Capacitor is available in the transformers.
- If any other factor requirement, please inquiry us.

Outline Drawing

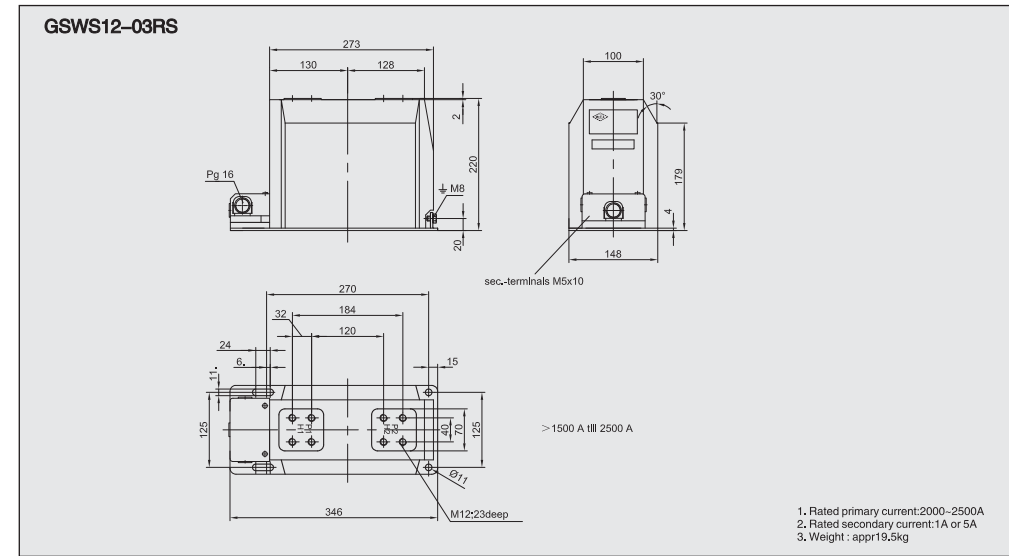


AIS 12KV CT SERIES

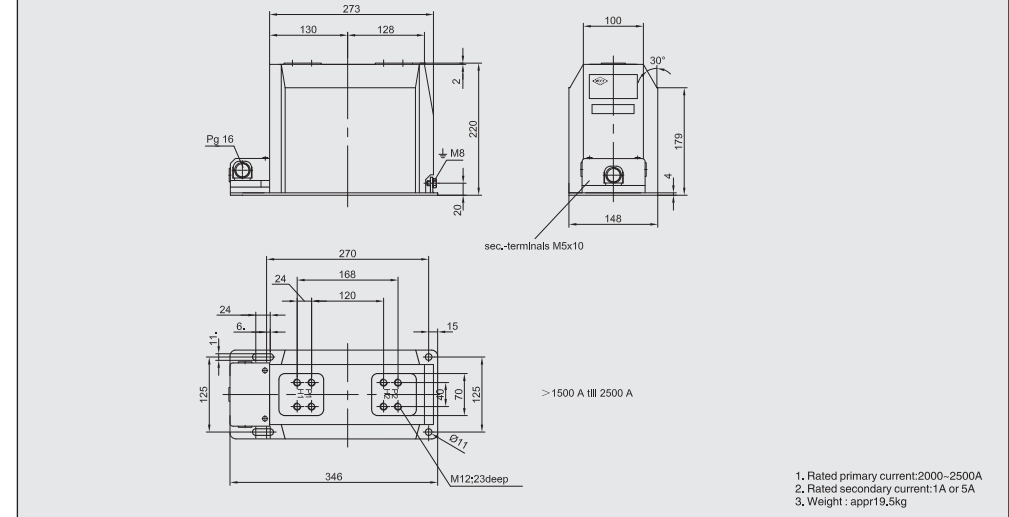
**GSWS12-01RS/GSWS12-03RS/GSWS12-05RS/GSWS12NXW/
GSWS12NXWL CURRENT TRANSFORMER**



Outline Drawing



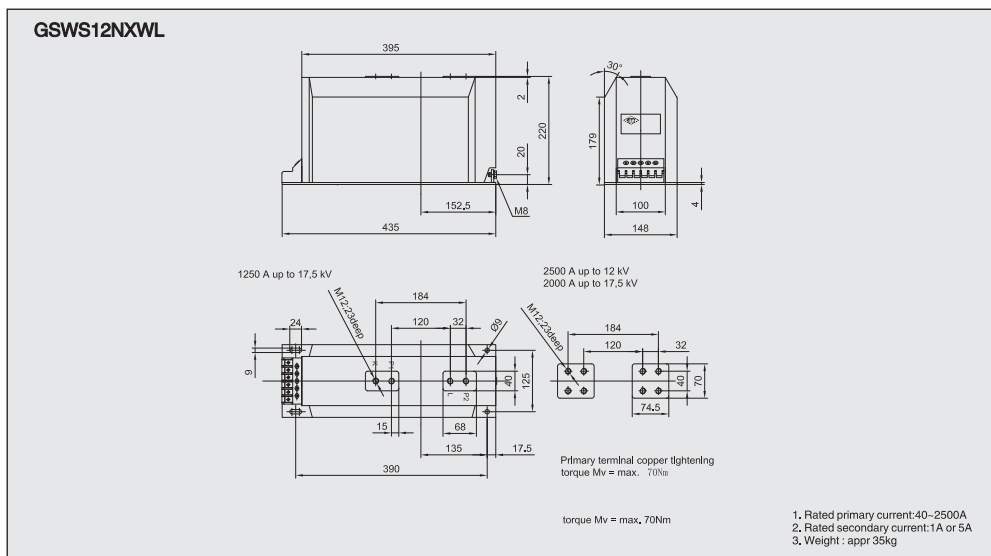
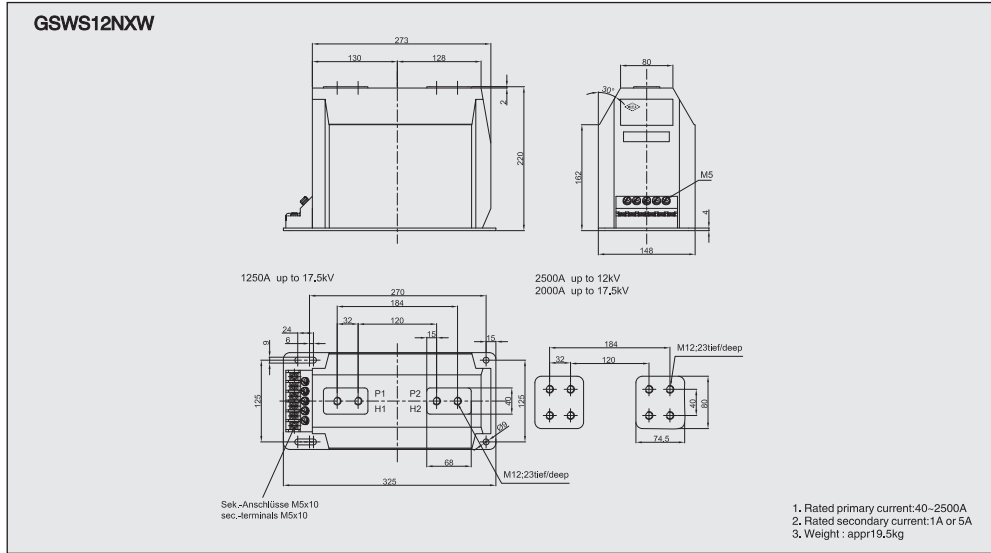
GSWS12-05RS



AIS 12KV CT SERIES
GSWS12-01RS/GSWS12-03RS/GSWS12-05RS/GSWS12NXW/
GSWS12NXWL CURRENT TRANSFORMER



Outline Drawing



AIS12KV CT SERIES
GSW12/0 CURRENT TRANSFORMER

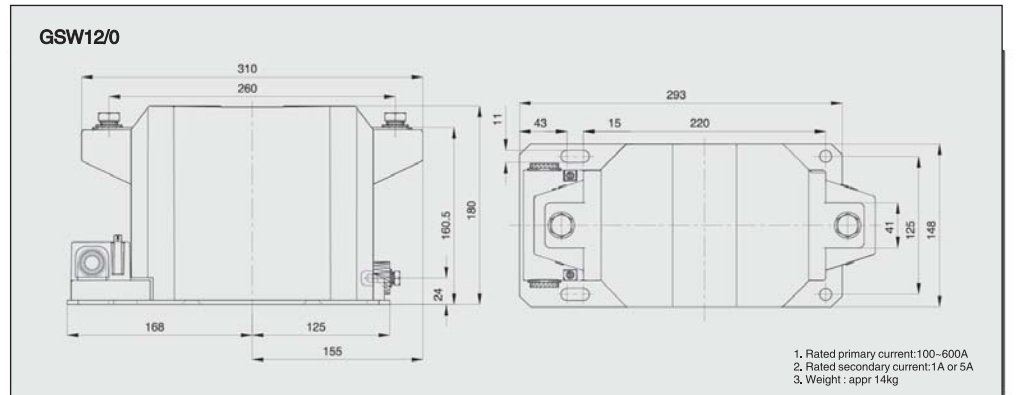


Technical Data

Type	Accuracy class	FS/ALF	Rated output	Rated primary current							
				100	150	200	250	300	400	500	600
GSW 12/0	0.2	FS10	5	15	15	18	20	21	27	30	44
			10	18	20	24	26	30	39	48	
			15	20	24	27	32	39	51		
			20	24	27	33	38	48			
	0.5	FS10	5	15	15	15	15	15	20	21	26
			10	15	15	18	18	20	24	27	39
			15	15	15	20	22	24	30	36	51
			20	15	18	21	24	27	36	44	
	1	FS10	5	15	15	15	15	15	15	18	21
			10	15	15	15	15	18	21	24	32
			15	15	15	15	18	20	26	30	42
			20	15	15	18	20	21	32	36	50
10P	10	5	18	18	20	20	21	26	30	36	
		10	21	21	26	27	32	36	45		
		15	24	27	32	36	42	51			
		20	27	32	38	44	51				
5P	10	5	18	18	20	21	24	27	32	39	
		10	21	24	27	32	36	44	51		
		15	26	30	36	39	48				
		20	32	36	44	50					
			30	39	45						

Remark: **GSW12/0** CT technical data table
 1.If any other factor requirement, please inquiry us.

Outline Drawing



AIS 12KV CT SERIES
GSWS12NXWB CURRENT TRANSFORMER



Technical Data

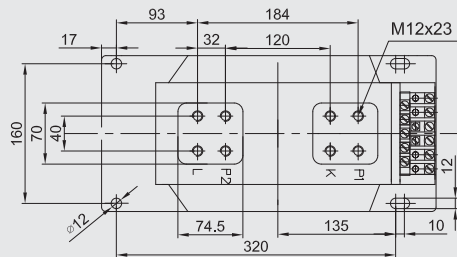
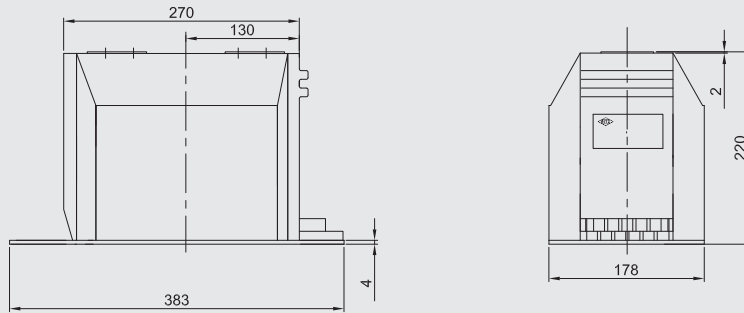
kSum of turns $\sum k$	Ifn	Ith	0.2FS10				0.5FS10				5P10/10P10				5P15/10P15				5P20/10P20				5P30/10P30							
			5VA	10VA	15VA	20VA	30VA	5VA	10VA	15VA	20VA	30VA	5VA	10VA	15VA	20VA	30VA	5VA	10VA	15VA	20VA	30VA	5VA	10VA	15VA	20VA	30VA			
			k	k	k	k	k	k	k	k	k	k	k	k	k	k	k	k	k	k	k	k	k	k	k	k	k			
NXWB--31	3000	100	7	7	7	7	7	7	7	7	7	8	8	8	9	10	8	9	10	10	12	9	10	11	12	13	15	17	20	
NXWB--27	4000	100	8	8	8	8	8	8	8	8	8	9	10	10	11	12	11	11	12	13	15	13	14	15	17	20	19	21	24	27

Remark: **GSWS12NXWB** CT technical data table

1. Maximum of secondary core for GSWS12NXWB block-type current transformers:4
2. The core factor of the table corresponds to different core parameter. Please add them all according to your chosen core parameter.
3. Secondary current is 5A or 1A. Capacitor is available in the transformers.
4. If any other factor requirement, please inquiry us.

Outline Drawing

GSWS12NXWB



1. Rated primary current : 3150-4000A
2. Rated secondary current : 1A or 5A
3. Weight : appr 26kg

AIS 12KV PT SERIES
**GSES12-34RS/GE12NXW/GE12NXW-1/GSES12-01RS/
GSES12-02RS VOLTAGE TRANSFORMER**



Technical Data

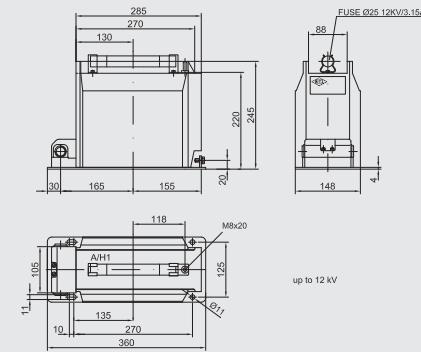
Type	Rated voltage(kV)	Sum of Accuracy class	Rated output	Output limitation(VA)	Insulation level(kV)
GE12NXW GE12NXW-1 GSES12-01RS	6/√3/0.1/√3/0.1/3 10/√3/0.1/√3/0.1/3	0.2/3P 0.5/3P	25/100 90/100	400	7.2/20/60
GSES12-34RS	10(6)/√3/0.1/√3/0.1/3 10(6)/√3/0.1/√3/0.1/√3/0.1/3	0.2/3P 0.5/3P	20/100 60/100	400	
GSES12-02RS	6/√3/0.1/√3/0.1/3 10/√3/0.1/√3/0.1/3	0.2/3P 0.5/3P	45/100 150/100	500	12/28/75
	6/√3/0.1/√3/0.1/√3/0.1/3 10/√3/0.1/√3/0.1/√3/0.1/3	0.2/0.5/3P	20/25/100		

Remark: **GSES12-34RS/GE12NXW/GE12NXW-1/GSES12-01RS/GSES12-02RS** PT technical data table

1. If any other factor requirement, please inquiry us.

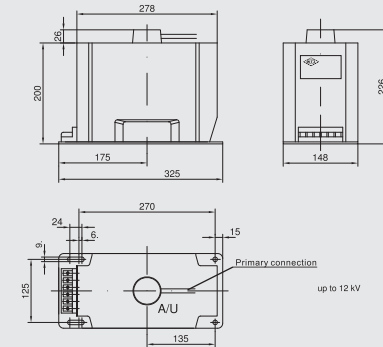
Outline Drawing

GSES12-34RS



Weight : appr 28kg

GE12NXW



Weight : appr 25kg

AIS 24KV PT SERIES GZ24RS/GZ24RS-1 VOLTAGE TRANSFORMER



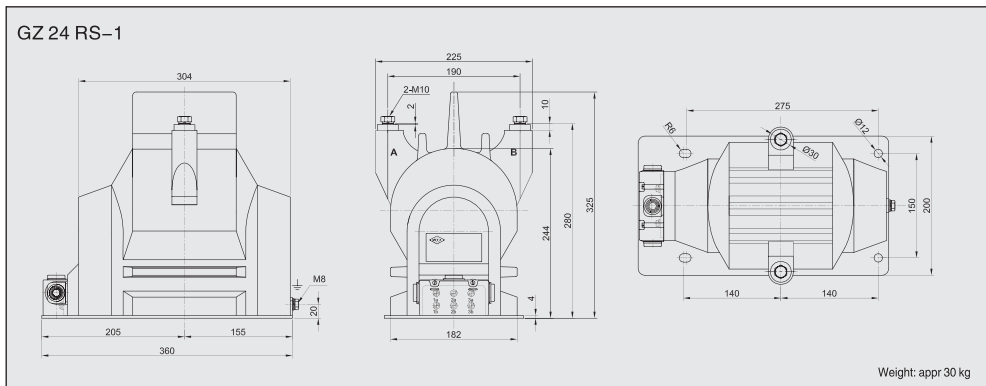
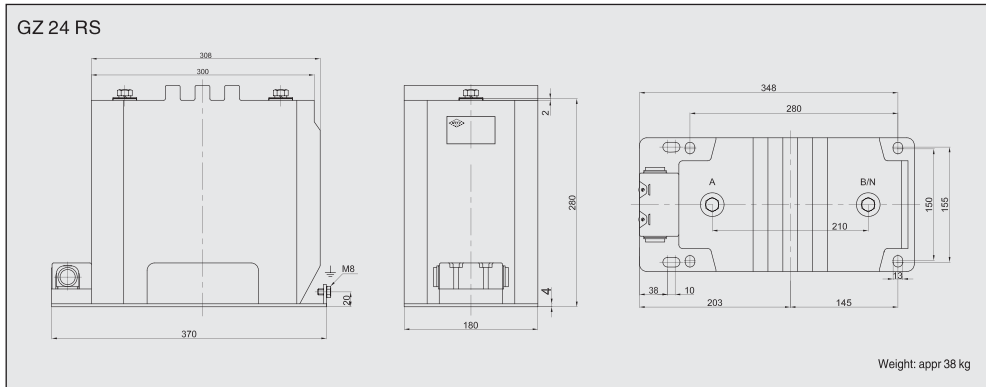
Technical Data

Type	Rated voltage(kV)	Sum of Accuracy class	Rated output	Output limitation(VA)	Insulation level(kV)
GZ24RS GZ24RS-1	20/0,1	0,2	30	500	24 / 50 / 125
	22/0,1	0,5	100		
	20 / 0,1 / 0,1	0,2 / 0,5	10 / 20	250	
	22 / 0,1 / 0,1				
	20/√3/0,1/√3/0,1/3	0,2 / 3P	25 / 100	400	
	22/√3/0,1/√3/0,1/3	0,5 / 3P	75 / 100		
20/√3/0,1/√3/0,1/√3/0,1/3	0,2 / 0,5 / 3P	10 / 15 / 100	200		

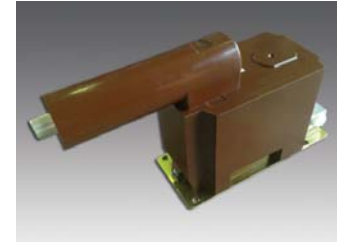
Remark: GZ24RS/GZ24RS-1 PT technical data table

1.If any other factor requirement, please inquiry us.

Outline Drawing



AIS 24KV PT SERIES GSE24/GE24SRSC VOLTAGE TRANSFORMER



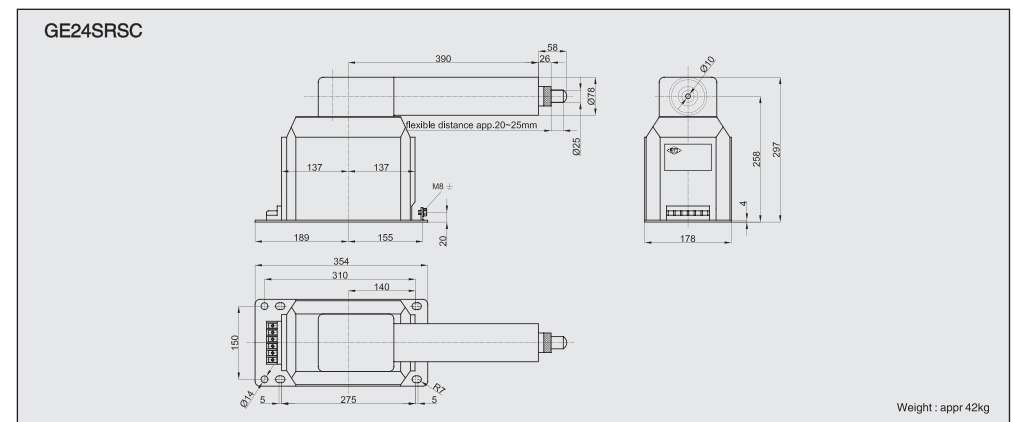
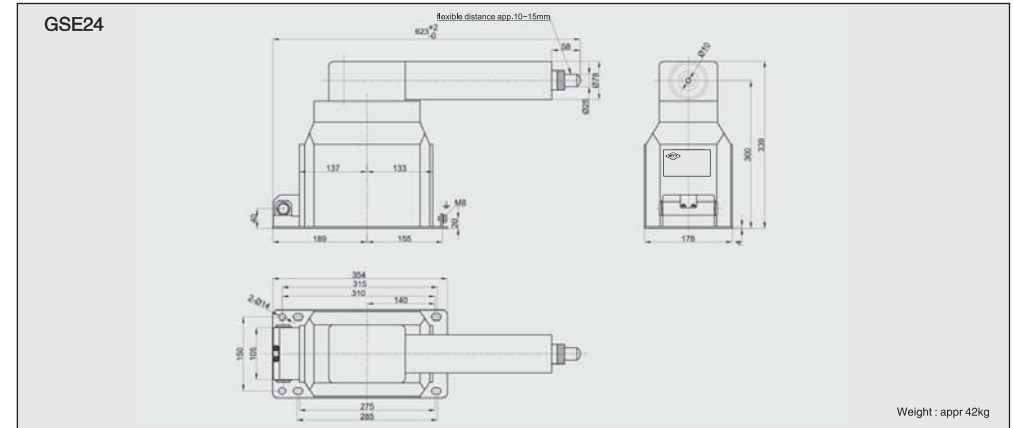
Technical Data

Type	Rated voltage(kV)	Sum of Accuracy class	Rated output	Output limitation(VA)	Insulation level(kV)
GSE24	20/√3/0,1/√3/0,1/3	0,2 / 3P	20 / 100	500	24 / 50 / 125
	22/√3/0,1/√3/0,1/3	0,5 / 3P	60 / 100		
GE24SRSC	20/√3/0,1/√3/0,1/3	0,2 / 3P	20 / 100	150	
	22/√3/0,1/√3/0,1/3	0,5 / 3P	60 / 100	150	

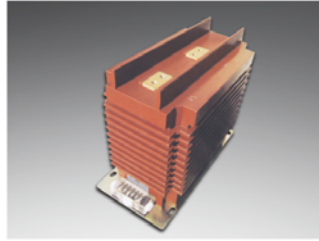
Remark: GSE24/GE24SRSC PT technical data table

1.If any other factor requirement, please inquiry us.

Outline Drawing



**AIS 40.5KV CT SERIES
GIS40.5RSa CURRENT TRANSFORMER**

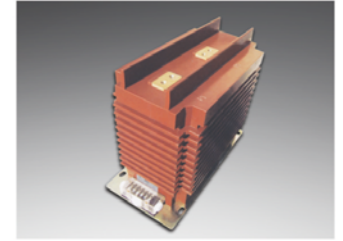


Technical Data

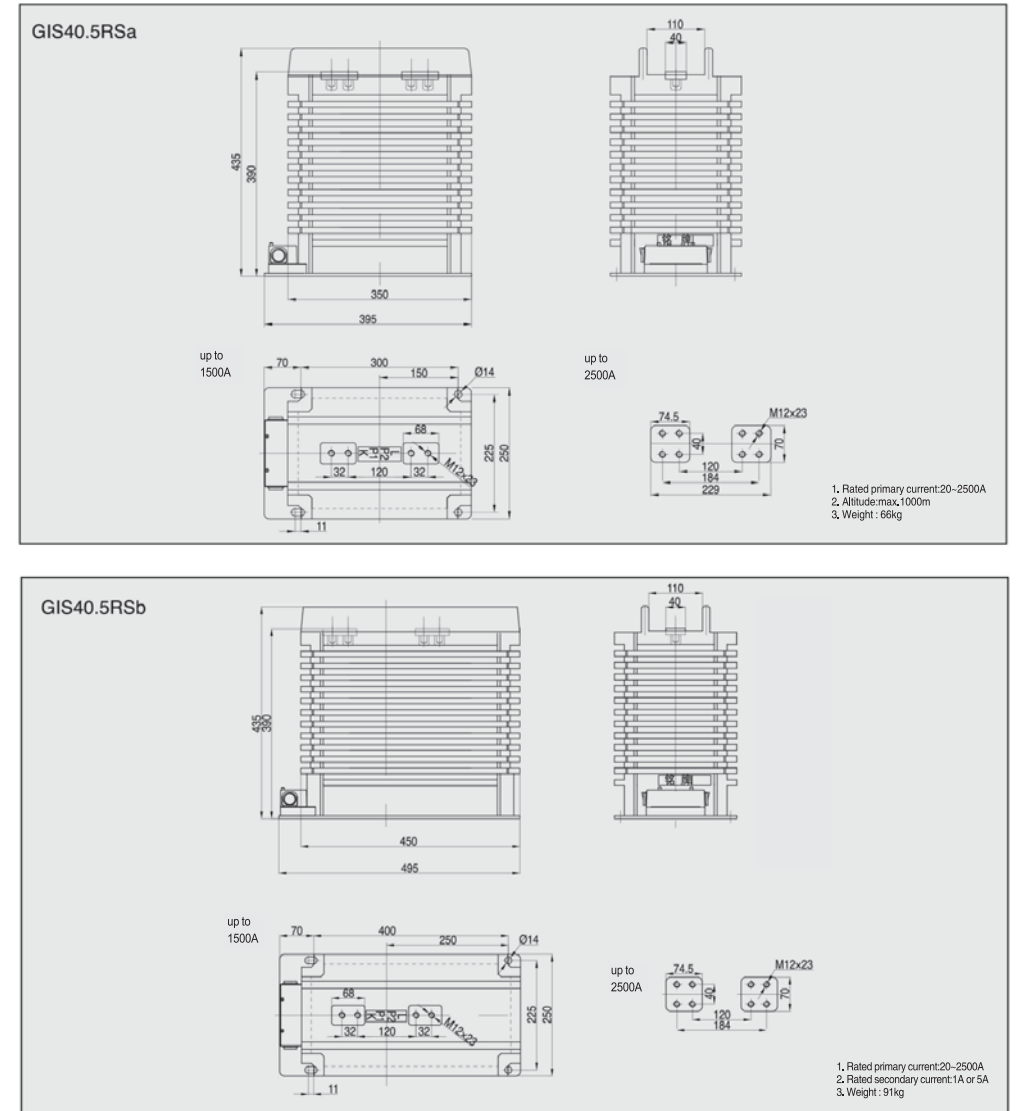
线圈系数和 Σk	I1n	I1h	GIS40.5RSA/GIS40.5RSB Technical Data Table																							
			0.2FS10, 0.5SFS10				0.5FS10				5P10/10P10				5P15/10P15				5P20/10P20				5P30/10P30			
			VA				VA				VA				VA				VA				VA			
			10	15	20	30	10	15	20	30	10	15	20	30	10	15	20	30	10	15	20	30	10	15	20	30
	A	ka/1S	K	K	K	K	K	K	K	K	K	K	K	K	K	K	K	K	K	K	K	K	K	K	K	K
a: ≤30 b: ≤48	50/60	12.5	7	9	10	13	7	8	9	12	9	11	14	19	11	15	19	26	14	18	24	31	21	29	33	
		16	9	12	14	18	8	9	11	15	10	14	17	23	13	18	23	33	17	23	29		25	31		
		20/25	13	19			10	13	15	20	14	19	24	30	19	25	30		23	30			31			
	75	12.5	7	7	8	10	6	6	7	9	7	9	11	15	9	12	15	20	12	15	18	25	17	23	29	
		16	7	9	10	13	7	8	9	12	9	11	14	19	11	15	19	26	14	19	24	31	21	29	33	
		20/25	9	12	14	18	8	9	11	15	10	14	17	23	13	18	23	33	17	23	29		25	31		
	100	31.5	13	19			10	13	15	20	14	19	24	30	19	25	30		23	30			31			
		12.5	7	7	7	8	5	5	6	7	7	8	9	12	8	10	12	16	10	13	16	21	15	20	24	33
		16	7	7	8	10	6	6	7	9	7	9	11	15	9	12	15	20	12	15	18	25	17	23	29	
		20/25	7	9	10	13	7	8	9	12	9	11	14	19	11	15	19	26	14	19	24	31	21	29	33	
	150	31.5	9	12	14	18	8	9	11	15	10	14	17	23	13	18	23	33	17	23	29		25	31		
		40	13	19			10	13	15	20	14	19	24	30	19	25	30		23	30			31			
16		7	7	7	7	5	5	6	6	7	8	9	12	8	10	12	16	10	13	16	21	15	20	24	33	
20/25		7	7	8	10	6	6	7	9	7	9	11	15	9	12	15	20	12	15	18	25	17	23	29		
200	31.5	7	9	10	13	7	8	9	12	9	11	14	19	11	15	19	26	14	19	24	31	21	29	33		
	40	9	12	14	18	8	9	11	15	10	14	17	23	13	18	23	33	17	23	29		25	31			
	20/25	7	7	7	8	5	5	6	7	7	8	9	12	8	10	12	16	10	13	16	21	15	20	24	33	
	31.5	7	7	8	10	6	6	7	9	7	9	11	15	9	12	15	20	12	15	18	25	17	23	29		
250	45	7	9	10	13	7	8	9	12	9	11	14	19	11	15	19	26	14	19	24	31	21	29	33		
	20/25	7	7	7	7	5	5	5	5	6	7	8	10	8	9	11	14	9	11	14	18	13	16	20	26	
	31.5	7	7	8	10	5	5	6	7	7	8	10	12	9	11	13	17	11	13	16	22	15	19	26	30	
	45	7	8	9	11	7	8	9	11	8	10	12	16	10	13	16	22	13	17	21	29	18	24	30		
300	31.5	7	7	7	7	5	5	6	6	7	8	9	11	8	10	12	15	10	12	14	19	14	17	21	29	
	45	7	7	8	10	6	6	7	9	7	9	11	15	9	12	15	20	12	15	18	25	17	23	29		
	63	8	10	12	14	7	9	10	12	9	11	14	20	11	15	19	27	14	19	24	31	19	27	31		
	45	7	7	7	8	5	5	6	7	7	8	9	12	8	10	12	16	10	13	16	21	15	20	24	33	
400	63	7	8	9	11	7	7	8	10	8	10	12	16	10	13	16	23	12	17	21	29	17	24	31		
	500	63	7	7	8	10	6	6	7	9	7	9	11	14	9	11	14	19	11	15	18	24	15	21	26	32
	800	63	7	7	7	9	5	6	7	8	7	8	9	12	8	10	12	17	10	13	16	21	14	18	23	32
	1000	80	7	7	7	7	5	5	5	6	6	7	8	10	8	9	11	14	9	11	13	18	13	16	20	26
a: ≤28 b: ≤49	1200	80	7	7	7	7	5	5	5	6	7	8	10	8	9	11	14	8	10	12	16	11	14	17	22	
	1200	80	5	5	5	6	5	5	5	5	6	6	7	8	7	8	9	11	8	10	11	14	10	13	15	19
	1500	80	5	5	5	6	5	5	5	5	6	6	7	8	7	8	9	11	8	10	11	14	11	14	17	21
	2000	100	6	6	6	6	6	6	6	6	7	7	8	9	8	9	10	11	9	10	11	14	12	14	16	20
2500	100	6	6	6	6	6	6	6	6	6	7	7	8	7	8	9	10	9	10	11	13	11	13	15	18	

Remark: GIS40.5RSA/GIS40.5RSB technical data table
1. If any other factor requirement, please inquiry us.

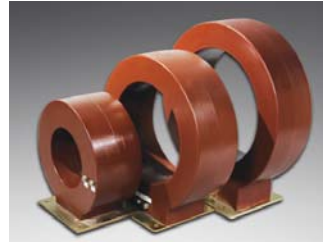
**AIS 40.5KV CT SERIES
GIS40.5RSb CURRENT TRANSFORMER**



Outline Drawing



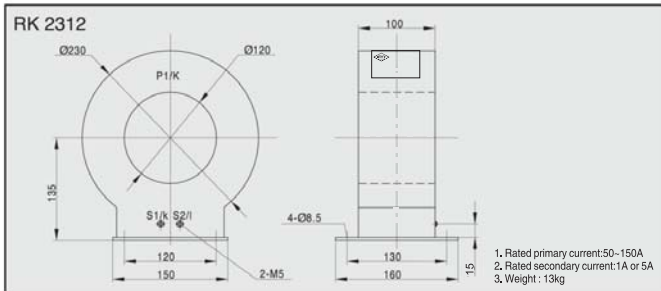
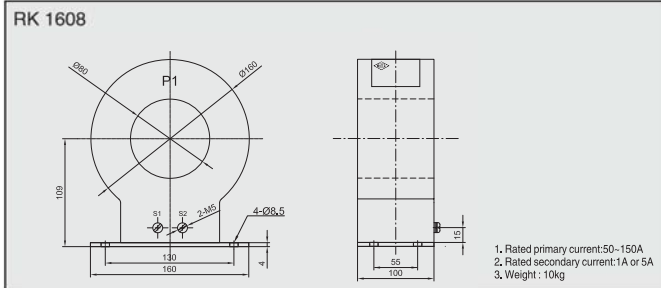
ZERO-SEQUENCE PROTECTION CT SERIES RK1608/RK2312/RK2716/RK3118/RK3120/ RK3524 CURRENT TRANSFORMER



Technical Data

Type	Rate current ratio	Accuracy class	Rated secondary current
RK 1608	50/1	1	1
	60/1	3	1
	75/1	5	1
	100/1	5P10	1-3
	150/1	10P10	1-3
RK2312	50/1	1	1
	60/1	3	1
	75/1	5	1
	100/1	5P10	1-3
	150/1	10P10	1-3
RK2716	50/1	1	1
	60/1	3	1
	75/1	5	1
	100/1	5P10	1-3
	150/1	10P10	1-3
RK3118	50/1	1	1
	60/1	3	1
	75/1	5	1
	100/1	5P10	1-3
	150/1	10P10	1-3
RK3120	100/1	1	1-3
	150/1	3	1-3
	150/1	5	1-3
	200/1	5P10	1-3
	200/1	10P10	1-3
RK3524	100/1	1	1-3
	150/1	3	1-3
	150/1	5	1-3
	200/1	5P10	1-3
	200/1	10P10	1-3

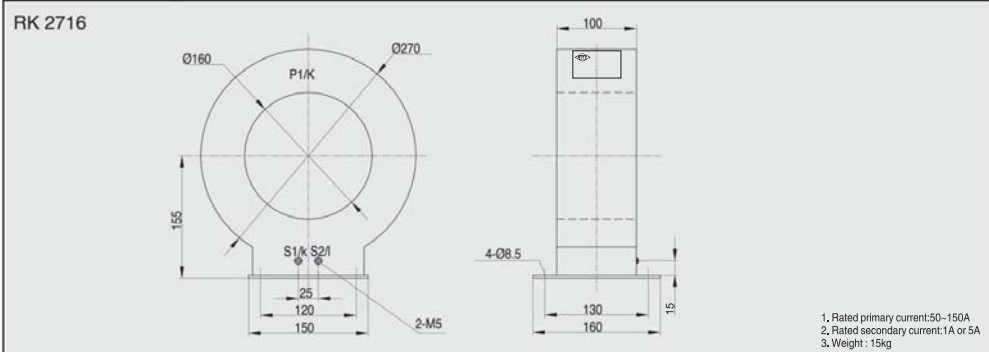
Outline Drawing



Remark: **RK1608/RK2312/RK2716/RK3118/RK3120/RK3524** Current transformers technical data table

1. Cable control insulation of RK series products.
It is used in zero-sequence protection of the 12kV, 24kV, 40.5kV system.
Insulation level: 0.72/3kV
2. If any other factor requirement, please inquiry us.

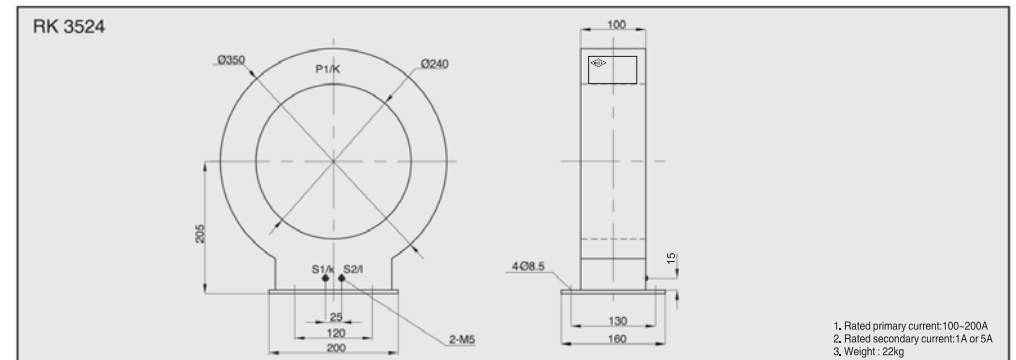
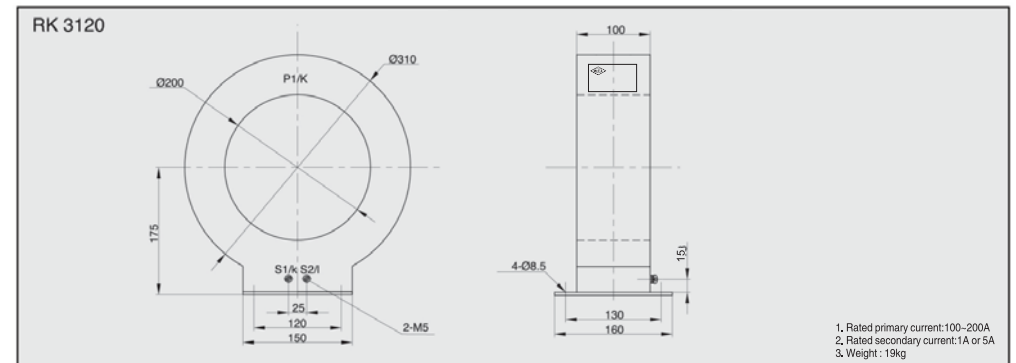
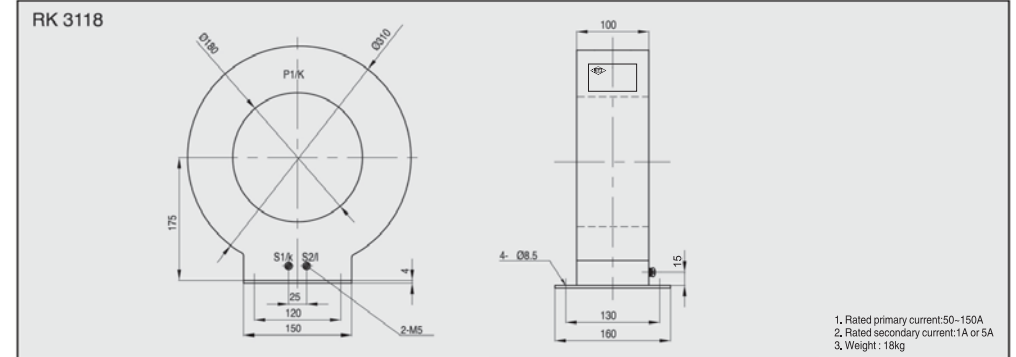
Outline Drawing



ZERO-SEQUENCE PROTECTION CT SERIES RK1608/RK2312/RK2716/RK3118/RK3120/ RK3524 CURRENT TRANSFORMER



Technical Data



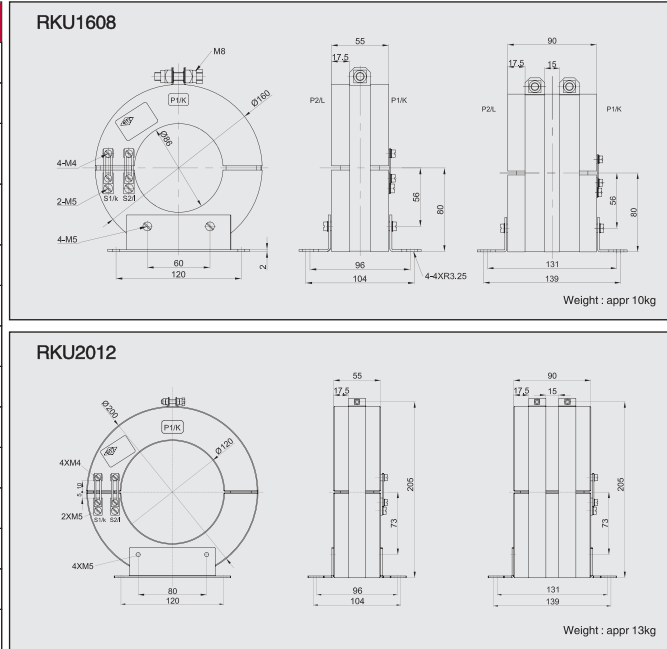
ZERO-SEQUENCE PROTECTION CT SERIES
RKU1608/RKU2012/RKU2616 CURRENT TRANSFORMER



Technical Data

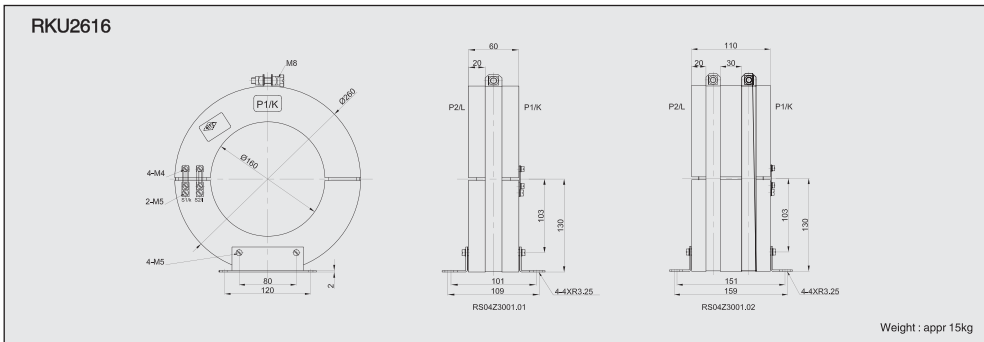
Type	Rate current ratio	Accuracy class	Rated secondary current
RKU 1608	50/1	—	—
	60/1	—	—
	75/1	10P5	1-3
	100/1	10P10	1-2.5
RKU 2012	50/1	10P10	1VA
	60/1	10P10	1VA
	75/1	10P10	1VA
	100/1	10P10	2VA
RKU 2616	50/1	10P10	2.5VA
	60/1	10P10	2.5VA
	75/1	10P10	2.5VA
	100/1	10P10	5VA
	150/1	10P10	7.5VA

Outline Drawing



Remark: RKU Current transformers technical data table

1. Insulation level: 0.72/3kV
2. If any other factor requirement, please inquiry us.



GIS CT KSOH SERIES



Technical Data

Technical data
 Rated frequency: 50Hz or 60Hz
 Rated secondary current : 5A or 1A
 Continuous power-frequency voltage: 3kV, 1min
 Instrument security factor: FS ≤ 10
 Standard: IEC61869-2

Picture	Type	Measurement	
	KSOH 1208	D=120; d=76; H=70	
	KSOH 1255	D=125; d=55; H=80、150	
	KSOH 1455	D=145; d=55; H=50、100、170、285	
	KSOH 1555C	D=150; d=55; H=65、110、170	
	KSOH 1580	D=150; d=80; H=150、200	
	KSOH 1910	D=188; d=100; H=65、110、170、220、250	
	KSOH 2517	D=250; d=168; H=60、100、155、220	
	KSOH 2713	D=270; d=135; H=65、135、200	
	KSOH 2819	D=280; d=190; H=70、140、200、250、400	
	KSOH 2918	D=290; d=180; H=50、100、160	
	KSOH 4030	D=406; d=300; H=100、155、214、300	
	KSOH 300	D=376; d=300; H=50、100、155、214、290	
	KSOH 300-1		
	KSOH 1765	a=170; b=180; d=65; H=65、110、170、200、250	
	KSOH 1911	a=190; b=190; d=106; H=50、100、150、214	
	KSOH 2108	a=210; b=168; d=78; H=65、100、150、200、250	
		KSOHO 2710	a=275; b=240; a1=200; r=50; H=50、100、170、214
		KSOHO 3206	a=320; b=150; a1=190; r=30; H=90、120、150、200
		KSOHO 3411	a=340; b=190; a1=240; r=53; H=100、150、214
		KSOHO 3608	a=360; b=168; a1=228; r=39; H=65、100、150、200、250
KSOHO 3808		a=385; b=205; a1=235; r=40; H=65、100、150、200、250	
KSOHO 3816		a=380; b=230; a1=310; r=80; H=65、110、150、180、200	
KSOHO 5008		a=500; b=200; a1=380; r=40; H=90、160、200、250	

Remark: 1. If any other factor requirement, please inquiry us.

2. Drawing of sample is just for your reference, Please take formal drawing from our company as the standard.

**KSOH SERIES
KSOH1911 CURRENT TRANSFORMER**



Technical Data

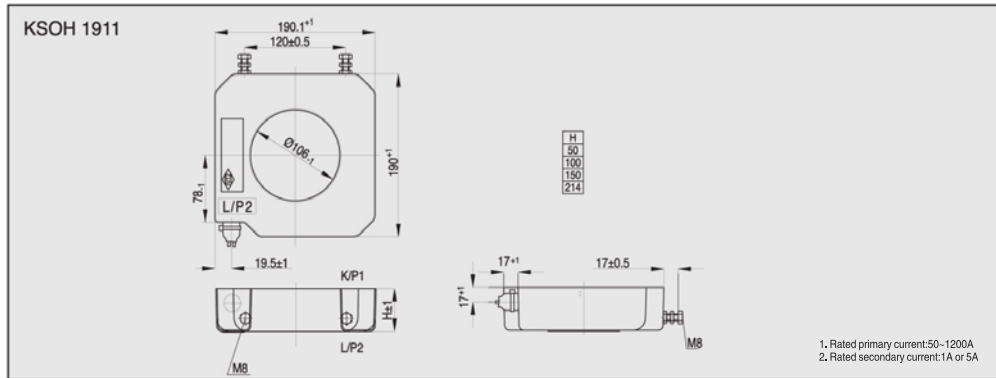
Accuracy class	Capacity (VA)	Rated primary current(A)															
		(50)	(60)	(75)	100	125	150	200	250	300	400	500	600	750	1000	1200	
		h	h	h	h	h	h	h	h	h	h	h	h	h	h		
0.2FS10/0.5S FS10	2.5				130	100	65	45	35	30	30	30	30	35	35		
	5				165	100	65	50	40	30	30	30	30	35	35		
	10					165	100	70	50	35	30	30	30	35	35		
	15						140	95	65	45	40	35	35	35	35		
	20						175	120	80	50	45	40	40	40	35		
	25							145	95	60	50	45	45	40	40		
0.5 FS10	2.5		165	115	75	55	45	35	30	30	25	20	20	20	25		
	5			115	80	65	40	35	30	25	20	20	20	20	25		
	10				130	100	60	50	40	35	30	25	20	20	25		
	15					135	80	60	50	45	35	30	25	20	25		
	20						95	75	65	50	40	30	25	20	25		
	25						115	90	75	65	50	35	30	25	25		
5P10 / 10P10	2.5	150															
	5		175	135	105	85	70	55	45	40	35	30	25	20	25		
	10			185	145	115	85	70	60	55	45	40	35	30	35		
	15					160	115	95	80	70	60	55	45	40	45		
	20						150	120	100	90	75	65	55	45	50		
	25						185	145	120	105	90	75	65	55	55		
5P15 / 10P15	2.5		175	140	110	90	75	60	50	40	35	30	25	20	30		
	5			180	145	115	95	70	60	50	45	40	35	35	35		
	10				195	160	120	95	80	75	65	55	50	45	50		
	15					165	130	110	100	85	75	65	55	50	60		
	20						165	140	130	110	90	80	65	60	70		
	25						200	170	155	130	110	95	75	65	80		
5P20 / 10P20	2.5		180	145	115	90	75	60	50	45	40	35	30	25	35		
	5			185	145	120	90	75	65	60	50	45	40	40	45		
	10				200	150	120	105	95	80	70	60	50	55	60		
	15					165	130	105	95	80	70	60	50	65	70		
	20						185	160	135	115	100	80	65	85	90		
	25						195	160	140	120	95	100	85	100	115		
5P30 / 10P30	2.5			200	160	130	105	85	70	60	55	50	45	40	45		
	5				170	135	110	95	85	70	65	60	55	50	60		
	10						190	160	135	115	105	90	80	80	90		
	15							190	160	140	120	100	100	105	115		
	20								175	155	125	125	125	125	135		
	25								190	160	140	120	100	150	175		

Remark: **KSOH1911** Current transformers technical data table

- The "()" mean that the product can just provide the requirement of 10P. The height of secondary wire (4mm) is 3m. We can provide the product according the requirement of client.
- The "h" in the table mean the height of winding. The sum of all winding height can't be bigger than the limitation height of product. The height of product: 50mm, 100mm, 150mm, 214mm;
- If any other factor requirement, please inquiry us.

number of core:1	product height=h+15mm
number of core:2-3	product height=h+25mm
number of core:4-5	product height=h+30mm

Outline Drawing



**KSOH SERIES
KSOH2713 CURRENT TRANSFORMER**



Technical Data

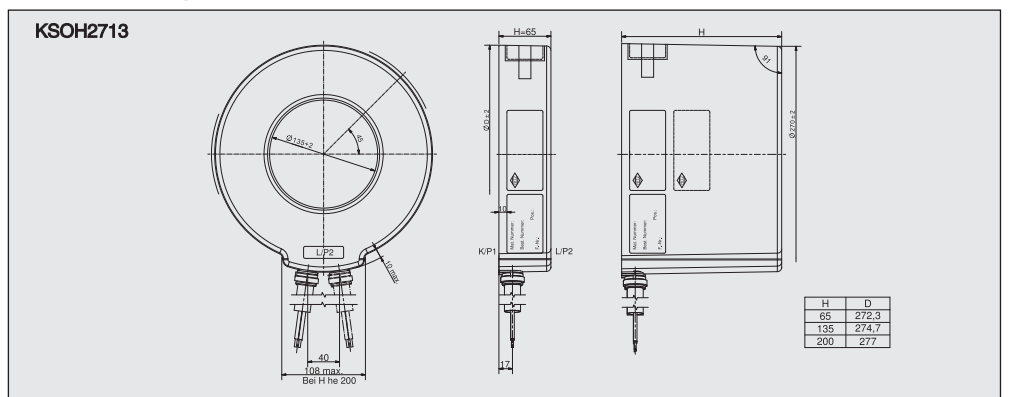
Accuracy class	Capacity (VA)	Rated primary current(A)									
		(100)	(150)	(200)	(250)	(300)	(400)	(500)	(600)	(800)	(1000)
		h	h	h	h	h	h	h	h	h	
0.2SFS10 0.2FS10 0.5SFS10	2,5				15	10	10	10	10	10	10
	5				20	15	10	10	10	10	10
	7,5				30	20	15	10	10	10	10
	10				40	30	20	15	10	10	10
	15				55	40	20	10	10	10	10
	20				70	50	25	15	15	10	10
0.5 FS10	2,5				85	60	30	20	15	10	10
	5				100	75	30	20	15	10	10
	7,5	20	10	10	10	10	10	10	10	10	10
	10	30	30	10	10	10	10	10	10	10	10
	15	40	20	15	10	10	10	10	10	10	10
	20	55	25	20	15	10	10	10	10	10	10
5P10 / 10P10	2,5	20	10	10	10	10	10	10	10	10	10
	5	30	30	10	10	10	10	10	10	10	10
	7,5	40	20	15	10	10	10	10	10	10	10
	10	50	25	20	15	10	10	10	10	10	10
	15	75	35	25	20	20	15	10	10	10	10
	20	95	40	35	20	20	15	15	15	10	10
5P15 / 10P15	2,5	120	50	40	30	25	20	20	20	15	15
	5	140	65	45	35	30	25	20	20	15	15
	7,5	155	75	55	40	35	30	25	20	20	25
	10	170	85	65	50	45	35	30	25	20	25
	15	185	105	80	65	55	40	35	30	25	25
	20	200	125	95	75	60	50	40	35	30	30
5P20 / 10P20	2,5	35	25	20	15	15	10	10	10	10	10
	5	55	40	30	25	20	15	15	15	15	15
	7,5	75	55	40	30	25	20	20	15	15	15
	10	100	65	50	40	35	25	20	20	20	20
	15	145	95	75	60	50	40	35	25	25	25
	25	195	125	95	75	65	50	40	35	30	30

Remark: **KSOH2713** Current transformers technical data table

- The "()" mean that the product can just provide the requirement of 10P.
- The "h" in the table mean the height of winding. The height of product: 65mm, 135mm, 200mm;
- If any other factor requirement, please inquiry us.

number of core:1	product height=h+20mm
number of core:2	product height=h+25mm
number of core:3	product height=h+30mm

Outline Drawing



GIS PT GBEA SERIES GBEA 12-1 / GBEA 12 RSS VOLTAGE TRANSFORMER

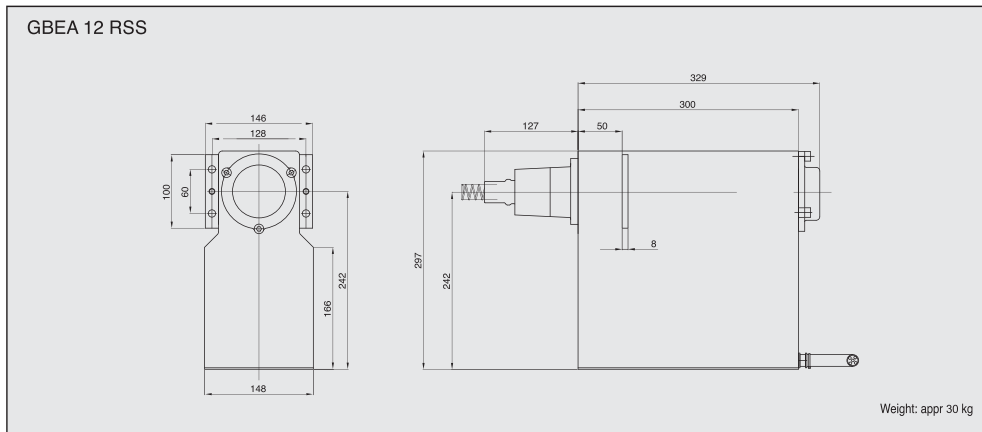
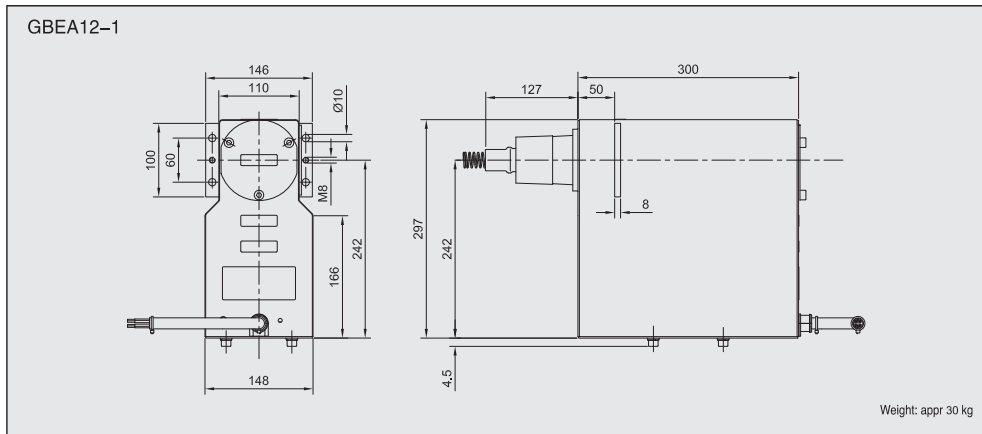


Technical Data

Type	Rated voltage(kV)	Sum of Accuracy class	Rated output	Output limitation(VA)	Insulation level(kV)
GBEA12-1 GBEA 12 RSS	10/√3 / 0.1/√3 / 0.1/3	0.2 / 3P	30 / 100	400	12 / 28 / 75
		0.5 / 3P	90 / 100	400	
	10/√3 / 0.1/√3 / 0.1/√3 / 0.1/3	0.2 / 0.5 / 3P	15 / 20 / 100	400 / 150	

Remark: GBEA 12 RSS/GBEA12-1 technical data table
1.If any other factor requirement, please inquiry us.

Outline Drawing



GIS PT GBEA SERIES GBEA 24 RSS / GBEA 24 VOLTAGE TRANSFORMER

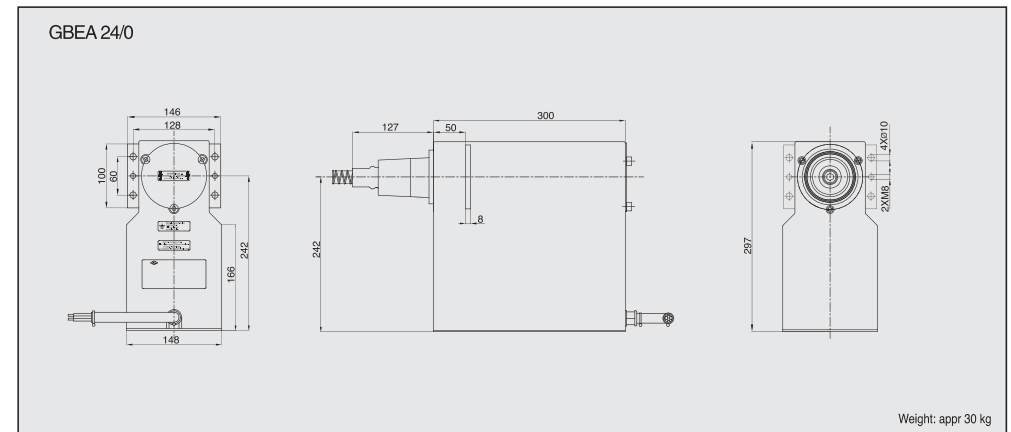
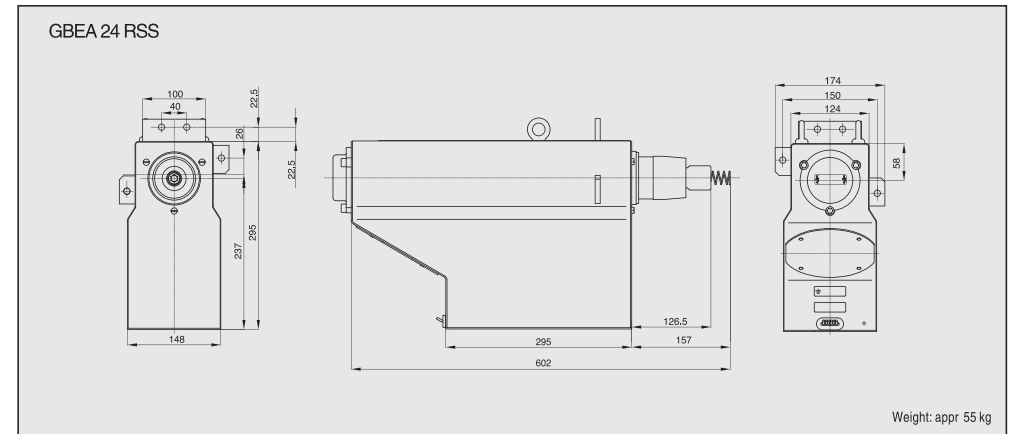


Technical Data

Type	Rated voltage(kV)	Sum of Accuracy class	Rated output	Output limitation(VA)	Insulation level(kV)
GBEA 24 RSS GBEA 24/0	20/√3 / 0.1/√3 / 0.1/3	0.2 / 3P	20 / 100	500	24 / 50 / 125
		0.5 / 3P	60 / 100	500	

Remark: GBEA 24 RSS / GBEA 24 technical data table
1.If any other factor requirement, please inquiry us.

Outline Drawing



GIS PT GBEA SERIES GBEA 12...40.5A-1/GBEA 36...40.5 RSS VOLTAGE TRANSFORMER



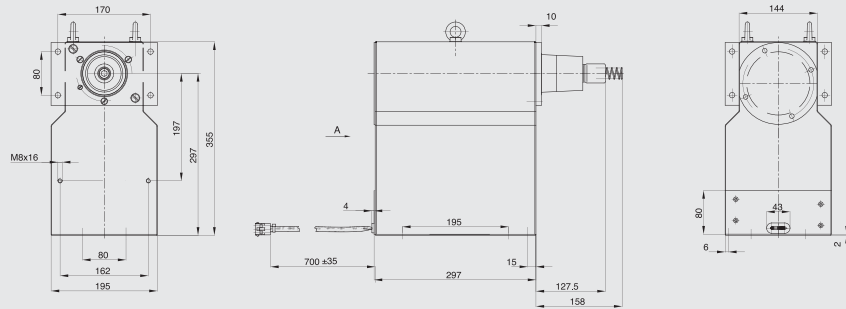
Technical Data

Type	Rated voltage(kV)	Sum of Accuracy class	Rated output	Output limitation(VA)	Insulation level(kV)
GBEA 12...40.5A-1 GBEA 36...40.5 RSS	35 $\sqrt{3}$ / 0.1 $\sqrt{3}$ / 0.1/3	0.2 / 3P	30 / 100	400	36 / 70 / 170
		0.5 / 3P	90 / 100	400	
	35 $\sqrt{3}$ / 0.1 $\sqrt{3}$ / 0.1 $\sqrt{3}$ / 0.1/3	0.2 / 0.5 / 3P	20 / 25 / 100	250 / 150	

Remark: **GBEA 12...40.5A-1/GBEA 36...40.5 RSS** technical data table
1.If any other factor requirement, please inquiry us.

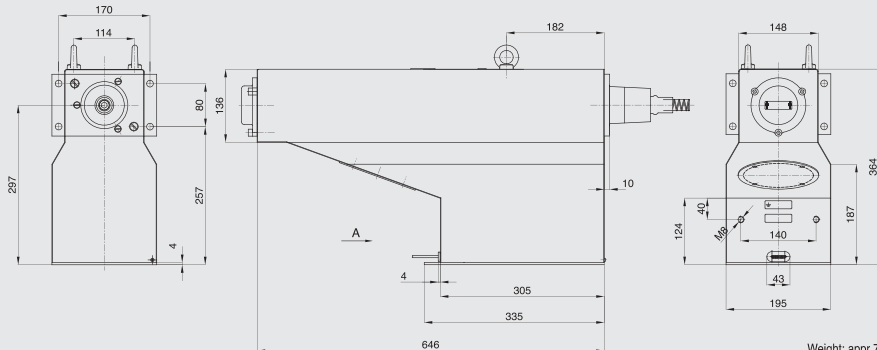
Outline Drawing

GBEA 12...40.5A-1



Weight: appr 50 kg

GBEA 36...40.5 RSS



Weight: appr 75 kg

Product Introduction

